

FIG NO	PART NO.	DESCRIPTION	QTY	S/NS
1	0503AA4580N	KNUCKLE FRT SUSPENSION RH	1	S
1	0503AA4590N	KNUCKLE FRT SUSPENSION LH	1	S
2	0603BAA01311N	CALIPER ASSY FRT C45X45 RH	1	S
2	0603BAA01321N	CALIPER ASSY FRT C45X45 LH	1	S
3	SF0101094	BOLT HEX M12 x 1.230	4	S
4	SF0402006	WASHER SPRING LOCK M6	6	S
5	0609AB0040N	BRACKET ABS SENSOR	1	S
6	0603AAB00320N	DISC & TONER WHEEL ASSY FRT RH	1	S
6	0603AAB00310N	DISC & TONER WHEEL ASSY FRT LH	1	S
7	SF0402015	WASHER SPRING LOCK M12	1	S
9	0503AA0240N	LOCK NUT & LOCK PIN ASSEMBLY	1	S
10	6514218	WASHER SPRING M14	1	S
11	0503CA0070N	BEARING ASSY OUTER	1	S
12	0503AA0200N	LOCKNUT OUTER	1	S
13	0503CA0100N	OIL SEAL C V JOINT	1	S
14	0503CA0090N	NEEDLE ROLLER BEARING ASSEMBLY	2	S
15	0503CAA01050N	OIL SEAL FRONT HUB	2	S
16	0503AA0230N	AUTOMATIC HUB LOCK ASSEMBLY	1	S
17	0401DA0180N	FRONT HUB - 4WD	1	S
18	0603BB0710N	DUST SHIELD DISC BRAKE LH	1	S
18	0603BB0720N	DUST SHIELD DISC BRAKE RH	1	S
19	SF0201118	SCREW HEX M6 x 12	1	S
20	0503AA0210N	LOCK WASHER	1	S
21	0603AA0150N	BOLT HEX HEAD M10 x 1.6	1	S
22	0503CA0050N	BEARING ASSY-INNER CUP & CONE	1	S

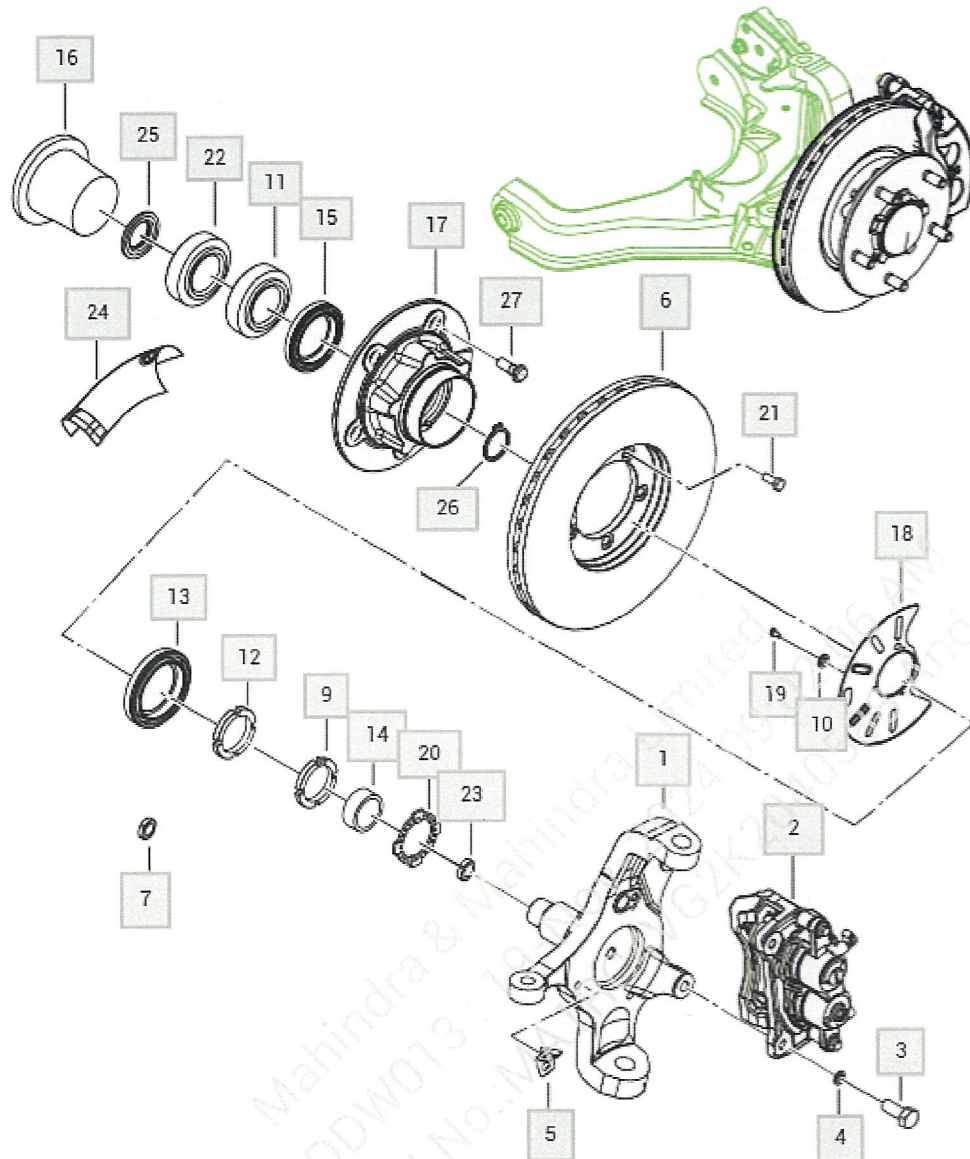


FIG NO	PART NO.	DESCRIPTION	QTY	S/NS
23	6510114	SPRING LOCK WASHER M10	1	S
24	0503AA0120N	WASHER C V JOINT ASSEMBLY LH/RH	1	S
25	0503CA0080N	DUST SEAL C V JOINT	1	S
26	0503FA0010N	CIRCLIP C V JOINT	1	S
27	0097878	BOLT WHEEL HUB	5	S